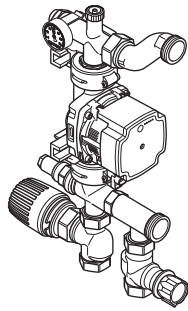
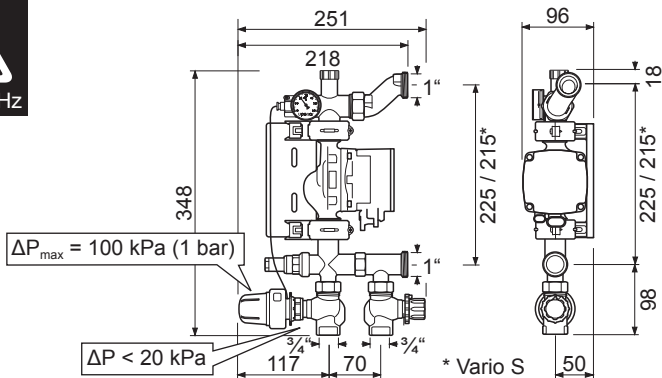


Uponor

Uponor Fluvia T pumpgroup Push-23-B-W



230V 50Hz



$Q_{max} = 10 \text{ kW}$



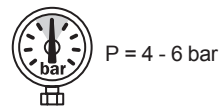
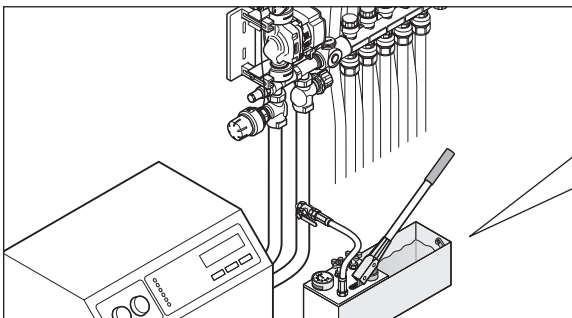
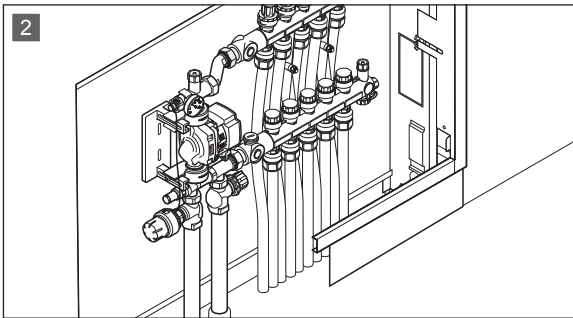
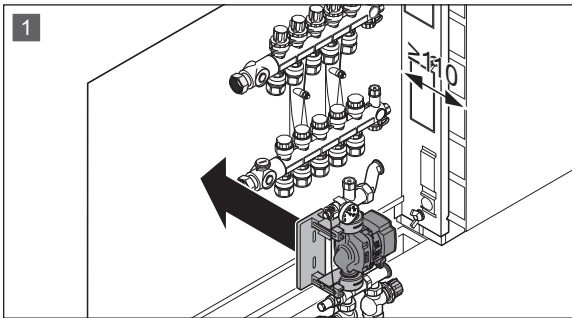
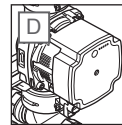
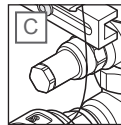
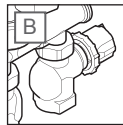
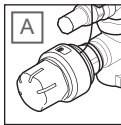
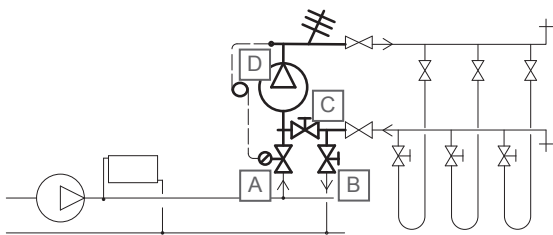
$\theta_{sec} = 15 - 55 \text{ }^\circ\text{C}$

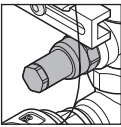
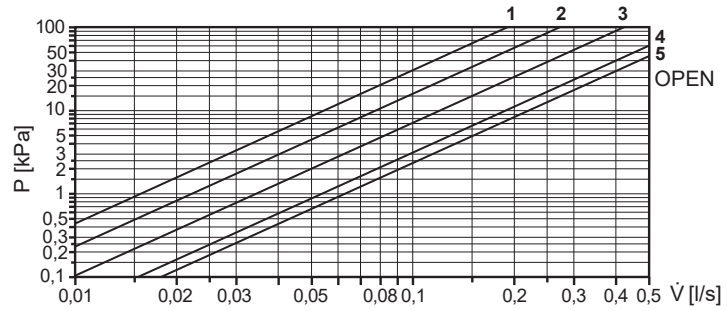
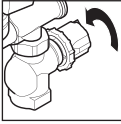
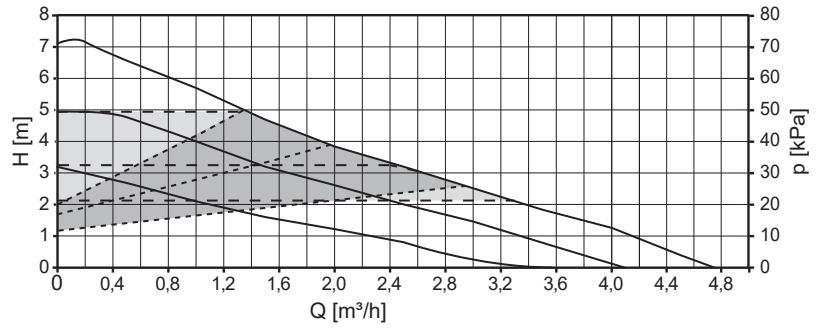
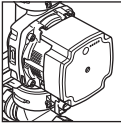


$kvs = 1,2 \text{ m}^3/\text{h}$



$P_{max} = 6 \text{ bar}$





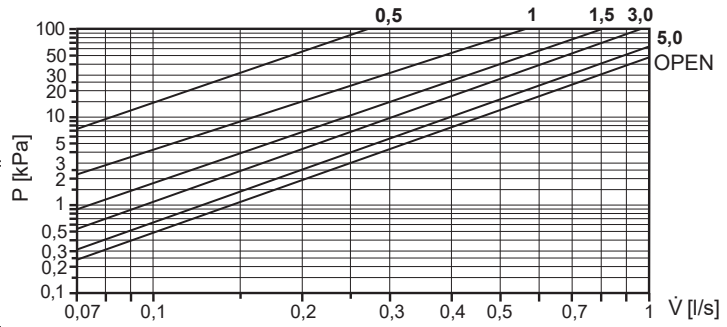
A
OPEN =
Standard



B
CLOSE =
Flush



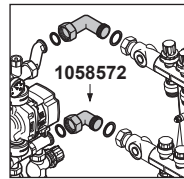
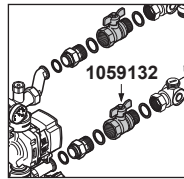
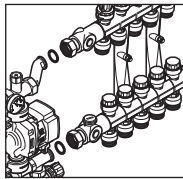
C
100%
CLOSE



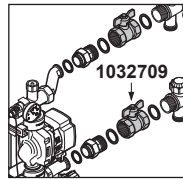
Scale	1	2	3	4	5	6	7	8	9
θ_1 [°C]	20	25	30	34	38	42	46	50	55



Uponor Vario PLUS manifold



Uponor Vario B manifold



Uponor Smatrix Move



www.uponor.com/services/download-centre

Uponor GmbH

Industriestraße 56,
D-97437 Hassfurt, Germany

1095390 v2_02_2023 INT
Production: Uponor / SKA

Uponor reserves the right to make changes, without prior notification, to the specification of incorporated components in line with its policy of continuous improvement and development.



www.uponor.com